

CX25EV



MINI EXCAVATORS
ELECTRIC VEHICLE



Electric miniexcavator
Rated engine power 25.0 kW
Peak engine power 32.0 kW
Operating weight with canopy 2220 kg
Operating weight with cab 2320 kg

SPECIFICATIONS

CX25EV

ENGINE

Type _____ Internal Permanent Magnets (IPM)
 Rated engine power (kW) _____ 25.0
 Peak engine power (kW) _____ 32.0
 Supply _____ three-phase alternating current

SUPPLY

Battery chemistry _____ lithium-ion
 Gross capacity (kWh) _____ 32.3
 Nominal voltage of the system (V) _____ 102
 Autonomy according to the operating mode (h) _____ 4 ÷ 8

CHARGING TIMES

On-board charger 220V (h) _____ 9
 External three-phase rapid charge 380V (Optional) (h) _____ 1,5 (80%) - 2,0 (100%)

SLEWING & TRAVEL SPEED

Travelling speed (AUTO TWO SPEED) (km/h) _____ 1st : 0 ÷ 2.6 / 2nd : 0 ÷ 4.0
 Slew speed (rpm) _____ 10.5

OPERATING MODES

	ECO	STD	PWR
Max. rpm	2000	2400	2600

HYDRAULIC SYSTEM

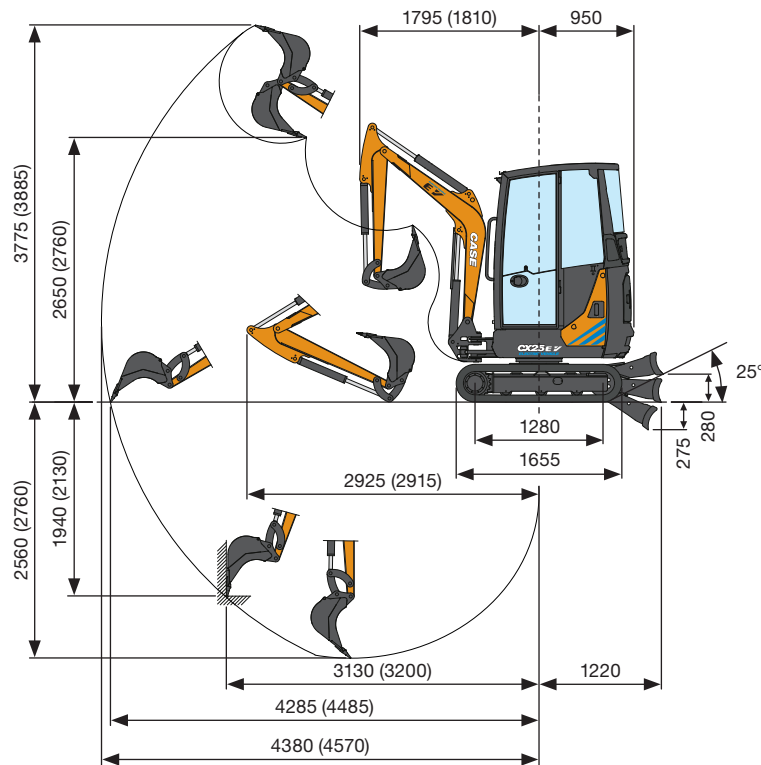
Control valve _____ Load Sensing Flow Sharing
 Hydraulic system capacity (l) _____ 25
 Pump type _____ 1 LS variable pump
 Pump displacement (cm³) _____ 18
 Pump flow rate (l/min) _____ 52
 Max. circuit calibration pressure (bar) _____ 210
 Auxiliary system (max pressure):
 AUX 1 single or double effect (l/min) _____ 50 - 220 bar
 AUX 2 - optional (l/min) _____ 13/8 - 220 bar
 AUX 3 - optional (l/min) _____ 50 - 220 bar

CONTROLS

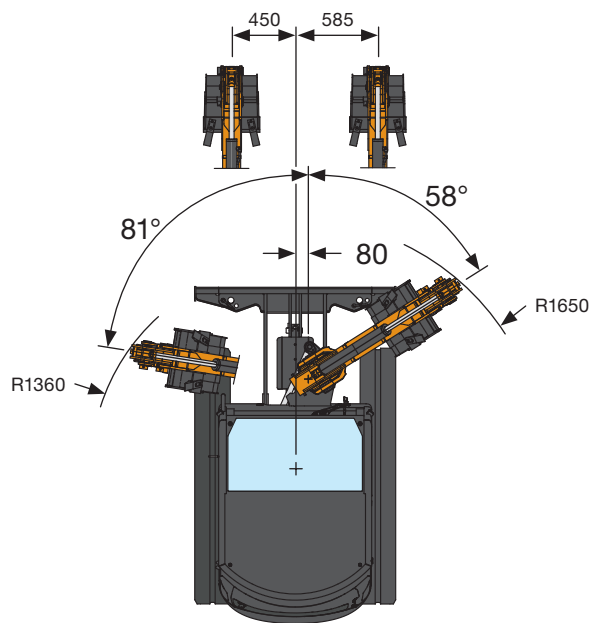
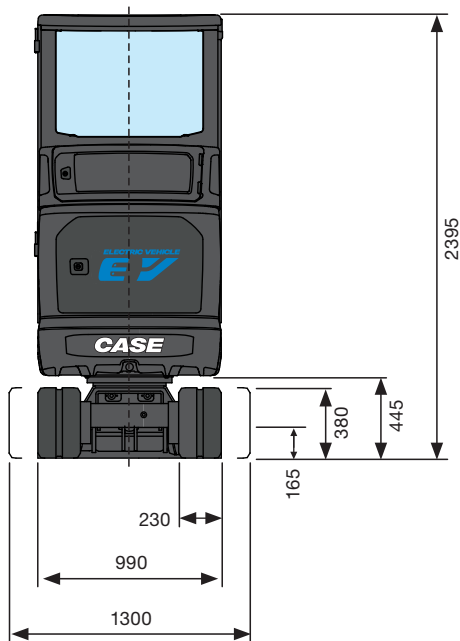
Boom, dipper stick, bucket and turret swing _____ 2 electro-proportional joysticks
 Track movements (included counter rotation) _____ 2 electro-proportional levers
 Dozer blade _____ electro-proportional lever
 Auxiliary system AUX 1 (single or double effect) _____ electroproportional switch on right joystick
 Boom swing _____ electroproportional switch on left joystick

WEIGHTS

Transport weight with canopy (kg) _____ 2090
 Transport weight with cab (kg) _____ 2190
 Operating weight with canopy (kg) _____ 2220
 Operating weight with cab (kg) _____ 2320



PERFORMANCE DATA		Std. Arm 1250 mm	Opt. Arm 1450 mm
Max. digging depth	mm	2560	2760
Max. dumping height	mm	2650	2760
Bucket breaking force	daN		1600
Arm breaking force ISO 6015	daN		1000
Traction force	daN		2200
Ground bearing pressure with canopy (ABS roof)	kg/cm ²		0.34 (0.35)
Max. slope			60% - 30°



GENERAL DIMENSIONS

Maximum width	mm	990 - 1300
Total height	mm	2395
Tracks width	mm	230
Rear rotation radius	mm	950
Digging arm length standard (optional)	mm	1250 (1450)
Rollers number (for each side)	n°	3

LIFTING CAPACITY

CX25EV

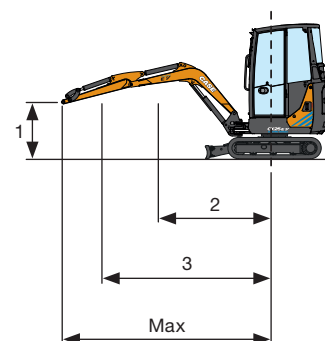
Opening arm from the rotation's center (m)
 Lifting capacity (kg) at 1.0 m height

LIFTING CAPACITY	2	3	Max
Frontal and lowered dozer blade	760*	480*	420*
Frontal and lifted dozer blade	760*	410	290
Lateral, open undercarriage	700	350	260

* Indicates the hydraulic load limit.

The lifting capacity is based on the ISO 10567 and it does not exceed more than the 75% of static tipping load or more than the 87% of the hydraulic lifting capacity of the machine.

Standard dipper stick L = 1250 mm



STANDARD AND OPTIONS

STANDARD EQUIPMENT

- + Tilttable Cab/Canopy (ROPS/TOPS - FOPS Level 1)
- + Windshield washer
- + Rear-view mirrors (left, right)
- + Fabric seat with Mechanical suspension (cab)
- + Vinyl seat with Mechanical suspension (canopy)
- + Standard arm
- + Boom Lift cylinder and dozer blade cylinder protection
- + Standard counterweight
- + Travel alarm
- + Electro-Hydraulic joysticks
- + Electronic display and controls
- + 3 pre-set control modes
- + Electronic flow setting for every movement and auxiliary circuits
- + 1st Auxiliary (AUX1) circuit with Electro-Hydraulic proportional control
- + 2 speed travel with Automatic Shift Down (from 2nd to 1st gear if more traction is required) and Shift-up
- + On-board battery charger (220 VAC)
- + Rubber tracks
- + Standard Dozer Blade
- + Extendable undercarriage
- + Operator manual
- + Ignition key, which opens every machine lock
- + Standard LED working lights (boom)
- + Battery disconnect switch
- + Variable Volume Pump
- + Bio hydraulic oil and lubricants
- + CASE Sitewatch and SiteConnect

OPTIONAL EQUIPMENT

- + DAB Radio, Bluetooth, USB, Aux-in (cab only)
- + Long arm
- + 2nd Auxiliary (AUX2) circuit with Electro-Hydraulic proportional control and flow diverter from boom swing
- + Grapple provision (AUX3 with flow diverter from bucket cylinder)
- + Direct Drainage to tank
- + Block valves on dozer blade cylinder
- + Object handling kit (block valves on boom and arm, lifting hook and load chart)
- + Extra LED working lights (cab-front and cab-rear)
- + Portable fast charger (380 VAC)
- + Rotating beacon
- + Hydraulic quick coupler provision (Single or Double Effect)
- + Mechanical and Hydraulic quick couplers
- + Buckets

CASE AFTERMARKET SOLUTIONS

- + Superior Protection grid (FOPS Level 2)
- + Front Protection grid (Level 2)
- + Arm cylinder and bucket cylinder protection
- + Vast variety of attachments
- + Full range of Mechanical and Hydraulic quick couplers
- + Full range of Buckets

CNH Industrial
Deutschland GmbH
Case Baumaschinen
Benzstr. 1-3 - D-74076 Heilbronn
DEUTSCHLAND

CNH Industrial
Maquinaria Spain, S.A.
Avenida Aragón 402
28022 Madrid - ESPAÑA

CNH Industrial France, S.A.
16-18 Rue des Rochettes
91150 Morigny-Champigny
FRANCE

CNH Industrial Italia Spa
Lungo Stura Lazio 19
10156, Torino
ITALIA

CASE Construction Equipment
Cranes Farm Rd
Basildon - SS14 3AD
UNITED KINGDOM

NOTE: Standard and optional fittings can vary according to the demands and specific regulations of each country. The illustrations may include optional rather than standard fittings - consult your Case dealer. Furthermore, CNH Industrial reserves the right to modify machine specifications without incurring any obligation relating to such changes.

Conforms to directive 2006/42/EC

CASECE.COM
00800-2273-7373

The call is free from a land line.
Check in advance with your Mobile Operator if you will be charged. Toll free number not available from all calling areas.